

4

3

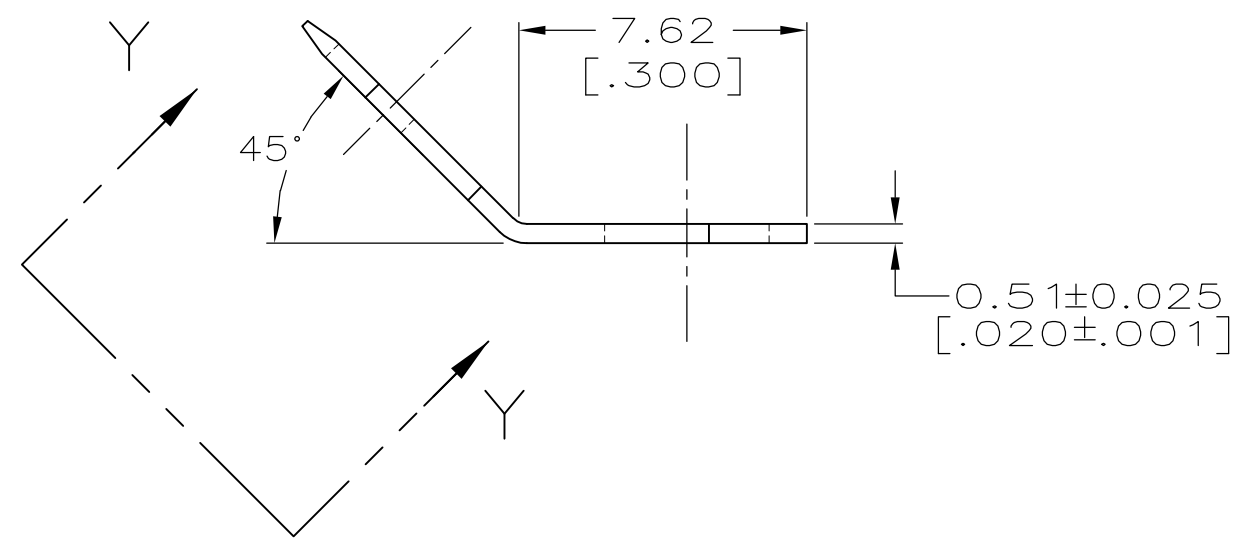
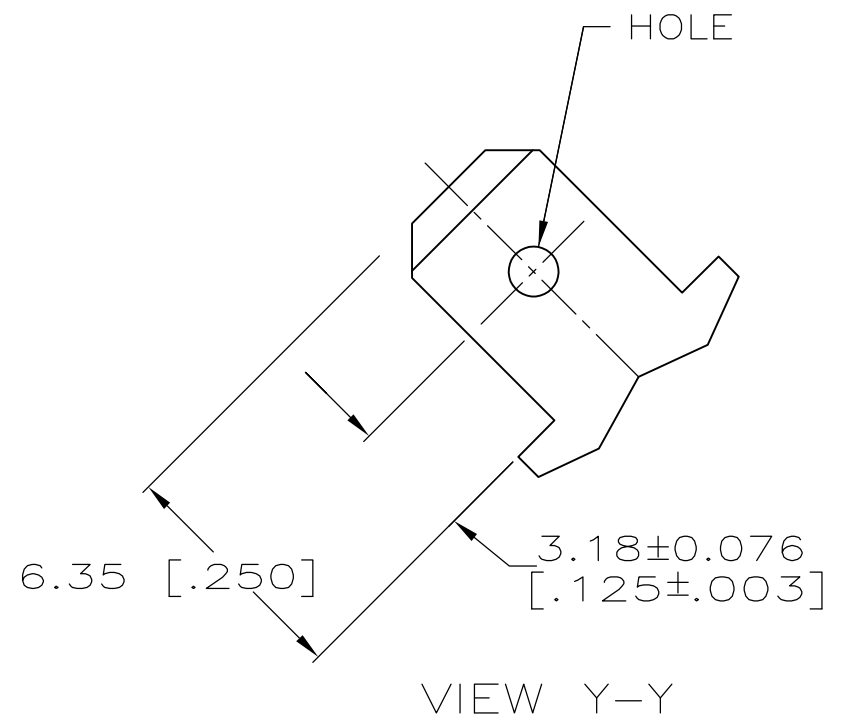
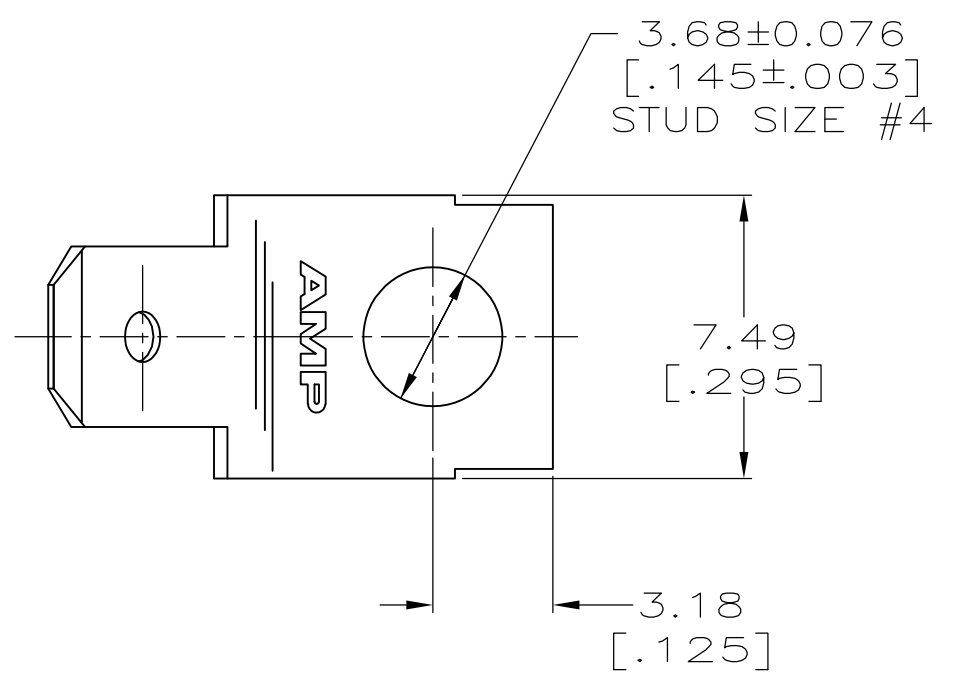
2

1

THIS DRAWING IS UNPUBLISHED. RELEASED FOR PUBLICATION  
 © COPYRIGHT - By - ALL RIGHTS RESERVED.

LOC	DIST	REVISIONS			
P	LTR	DESCRIPTION	DATE	DWN	APVD
		C	REVISED PER ECR-13-011489	04DEC2013	KH PD

1 SUPPLIED IN LOOSE PIECE.



62576-1  
 PART NO.

THIS DRAWING IS A CONTROLLED DOCUMENT.		DWN	JR RUTH	1/10/97	<b>TE Connectivity</b>		
DIMENSIONS: mm [INCHES]		CHK	MS FEHER	1/10/97			
TOLERANCES UNLESS OTHERWISE SPECIFIED:		APVD	J HUZVAR	1/10/97	TAB, FASTON, 4.75 [.187] SERIES		
0 PLC ± - 1 PLC ± - 2 PLC ± 0.38 [.015] 3 PLC ± - 4 PLC ± - ANGLES ± -		PRODUCT SPEC		APPLICATION SPEC			RESTRICTED TO
MATERIAL		WEIGHT		SIZE	CAGE CODE	DRAWING NO	
BRASS		-		A3	00779	C-62576	-
CUSTOMER DRAWING				SCALE	5:1	SHEET	1 OF 1
				REV	C		